



PRODUCT BENEFITS

CUSTOMER SERVICE

Our WynnWood team prides itself in its personalized second-to-none customer service and we believe that we're only successful when you're successful.

LOW MOISTURE CONTENT

Our slow drying processes and modern de-humidification kilns produce boards of long-lasting dimensional stability.

SPECIES ESLP/SPF

A large percentage of our fibre is Lodgepole Pine, which is renowned for its superior finish, excellent staining properties and pleasing appearance.

END WAX AND STAMPING

All boards are end-sealed with a clear paraffin wax to preserve the boards integrity. End stamping ensures a ready to use product with no distraction from the natural beauty of the board.

FIBRE QUALITY

Our exceptional tight grain fibre with consistent coloration and knot structure results in the highest-grade appearance board available on the market.

ATTENTION TO DETAIL

The hands-on care and gentle handling throughout the production and packaging process can be seen in all of our products.

SUPERIOR SURFACE FINISH QUALITY

Our products exhibit one of the finest and smoothest moulded surfaces in the world, giving them a near-sanded appearance and utility.

FIBRE SECURITY

The security and long-term access to high quality fibre that Canfor offers includes the exceptional fibre basket in the East Kootenays. This area is largely unaffected by the mountain pine beetle and is the foundation of our superior WynnWood products.

Renewable. Sustainable. Grown by the power of the sun.

Choose Canfor and expect quality products that deliver consistent performance. Benefit from our consistent and dependable performance in supply-chain management and logistics support.

Feel confident in choosing an environmentally preferable choice with Canfor as one of few primary lumber manufacturers to offer products certified to all of the independent certification programs in North America.

Know that you've selected a truly customer-focused company that continues to stretch its boundaries to better serve our valued customers worldwide.

Work with a global team that takes pride in our unwavering commitment to excellence, safety, customer satisfaction and upholding our reputation for quality products.

CONTACT



WYNNWOOD BOARDS

Our WynnWood operation produces some of the highest quality boards in the world. With a committed team, exceptional fibre quality and over 100 years of experience, customers can expect high quality, service and dependability when they choose WynnWood products.

SIZES

1x3 – 1x12 widths

DELIVERY AND PACKAGING

Full, third and export pack sizes.
Rail and truck to Canadian and US locations. Offshore by vessel.

END USE EXAMPLES

| | |
|-----------|-------------------------|
| Fascia | Trim |
| Soffit | Bee / Bat / Fruit Boxes |
| Furniture | Fine woodworking |
| Shelving | Fencing and gates |
| Siding | Paneling |

ABOUT WYNNWOOD

Located near the village of Wynndel in South Eastern British Columbia's Creston Valley, our WynnWood operation has over 100 years' of experience in high-value specialty products. Canfor acquired WynnWood in 2016, and since then has made capital investments in the mill to support future growth. We operate under forest licenses that are certified to the Sustainable Forestry Initiative® (SFI) standard.



GRADES

WYNNWOOD PREMIER

SPECIES: ESLP **GRADE STAMP:** 2COM & BTR

MOISTURE RATING: KD-HT

THIS IS OUR HIGH LINE 2 COM & BTR GRADE.

WHEN COMPARED TO NLGA 2 COM & BTR, WYNNWOOD PREMIER HAS:

95% WANE FREE | 90% STAIN FREE | 50% LESS TOTAL SPLIT LENGTH



WYNNWOOD CLEAR

SPECIES: ESLP **GRADE STAMP:** D & BTR

MOISTURE RATING: KD-HT

ENGELMANN SPRUCE-LOGEPOLE PINE (ESLP)

WynnWood Premier ESLP boards have established an extraordinary reputation in the market place for their incomparable product finish and fibre quality. Engelmann Spruce-Lodgepole Pine (ESLP) boards differentiate themselves from other boards based on these product attributes:

APPEARANCE

FIBRE

FINISH

GRADES

WYNNWOOD CLASSIC

SPECIES: SPF **GRADE STAMP:** NONE

MOISTURE RATING: KD-HT

THIS IS OUR HIGH LINE #3 GRADE.

WHEN COMPARED TO NLGA #3, WYNNWOOD CLASSIC HAS:

50% LESS WANE | 50% LESS SKIP | 50% LESS SPLIT



WYNNWOOD NORTHERN

SPECIES: NORTHERN SPECIES **GRADE STAMP:** NONE

MOISTURE RATING: HT

APPEARANCE - Colour is light and bright with minimal difference between heartwood and sapwood. Colour and knot structure are consistent across all widths.

FIBRE - The slow growth cycle results in a tight grain pattern and uniform texture. ESLP boards rarely contain pitch or pockets in contrast to more resinous species such as Ponderosa Pine. Excellent drying properties result in uniform moisture content and minimal check or warp. Small, sound, intergrown and well-spaced knots machine well.

FINISH - Easily machined to exceptionally smooth surfaces and shaped to tight tolerances with minimal splitting or splintering. Stains and finishes well for an even and uniform finish and its soft nature resists splitting and easily accepts nails and fasteners.

PATTERN

Our products exhibit one of the finest and smoothest moulded surfaces in the world, giving them a near sanded appearance and a superior surface finish quality. Patterns can be produced in our Premier and Classic grades. Since our wood averages 10-12% in moisture content it perfectly matches the installation environment providing long lasting dimensional stability.

| NOMINAL SIZE | PATTERN GRADE | PIECES PER LIFT | LENGTH |
|--------------|-------------------|-----------------|------------|
| 1 X 4 | PREMIER & CLASSIC | 588 | 8FT - 16FT |
| 1 X 6 | PREMIER & CLASSIC | 378 | 8FT - 16FT |
| 1 X 8 | PREMIER & CLASSIC | 294 | 8FT - 16FT |

DELIVERY & PACKAGING

| | |
|-------------------------|---|
| PACKAGING SIZES: | Third packs and minor bundling available upon request |
| DELIVERY: | Rail & Truck to Canadian and US locations |

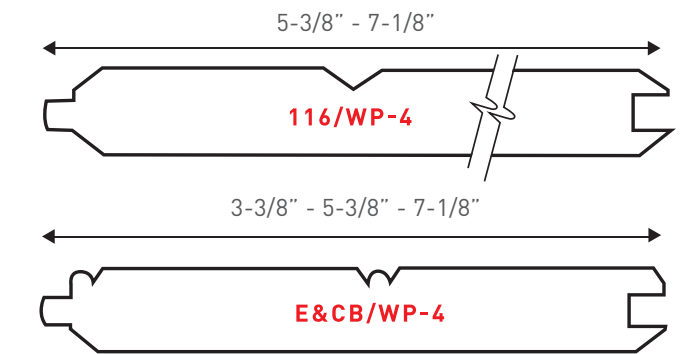


PATTERN

PROFILES

- WP-4, WP-6
- 105, 106, 116
- FINELINE
- SHIPLAP
- EDGE AND CENTRE BEAD (ECB)
- TONGUE & GROOVE 1/4", 3/8" & 1/2"
- TEXTURED OR SMOOTH FINISH
- REVERSIBLE PROFILES AVAILABLE

EXAMPLES OF REVERSIBLE PROFILES



END MATCHING

End-matched boards fit together at the end with a tongue and groove. Available in two types of end-matching, flush and beveled.

